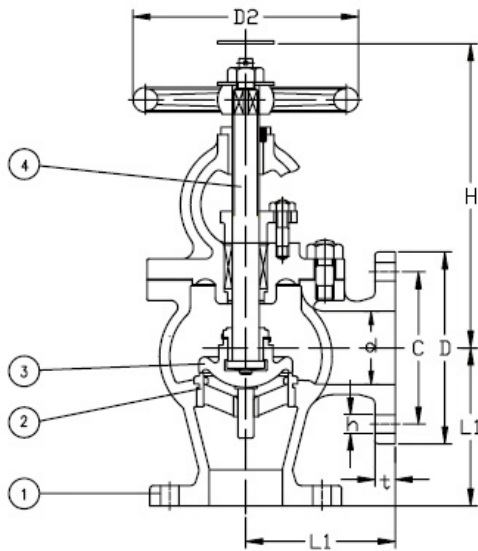




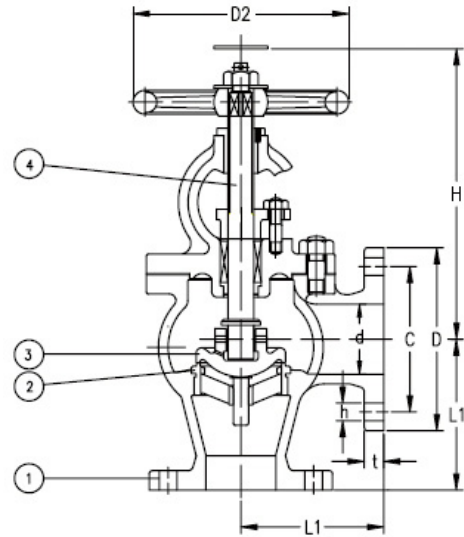
MARINE CAST STEEL 20K ANGLE VALVE - JIS F7314

MARINE CAST STEEL 20K ANGLE VALVE (SDNR) - JIS F7474

Manufactured in accordance to JIS F7400
Flanges as per JIS B2220 - 20K



<JIS F7314>



<JIS F7474>

No.	Component	Material
1	Body	Cast Steel
2	Seat	Stainless Steel
3	Disc	Stainless Steel
4	Stem	Stainless Steel

	Test Pressure MPa [kgf/cm ²]
Body	5.00 [51.0]
Seat	3.67 [37.4]

Size	F7314									F7474								
	L1	D	C	No.	h	t	H	D2	Kg	L1	D	C	No.	h	t	H	D2	Kg
32A	100	135	100	4	19	18	250	160	13.0	100	135	100	4	19	18	240	160	13.0
40A	110	140	105	4	19	18	265	160	15.2	110	140	105	4	19	18	255	160	15.1
50A	125	155	120	8	19	18	275	200	20.0	125	155	120	8	19	18	270	200	19.9
65A	135	175	140	8	19	20	305	224	26.9	135	175	140	8	19	20	295	224	26.7
80A	150	200	160	8	23	22	340	250	38.9	150	200	160	8	23	22	325	250	38.8
100A	170	225	185	8	23	24	385	280	54.4	170	225	185	8	23	24	365	280	54.2
125A	200	270	225	8	25	26	440	315	80.7	200	270	225	8	25	26	415	315	83
150A	225	305	260	12	25	28	485	355	112.3	225	305	260	12	25	28	460	355	115
200A	280	350	305	12	25	30	540	450	183.0	280	350	305	12	25	30	520	450	189
250A	310	430	380	12	27	34	620	560	285.9	310	430	380	12	27	34	595	560	296